



Puertas & Portones Automáticos, S.A. de C.V.  
*¡Nuestra pasión es la Solución!...*

»FOTOCELDAS ANTIVANDALICAS Y DE ESPEJO MARCA V2. MOD.REFLEX.



CÓDIGO	SKU	MODELO	DESCRIPCIÓN
V2-00032-00	13C007	SHIELD-180	FOTOCELDA INFRAROJA ANTIVAND EXT 180°

# MANUAL DE INSTALACION

VERSION 1  
OCTUBRE 2019



V10.19

(229) 288-1552

portonesautomaticos@adsver.com.mx  
 portonesautomaticos@prodigy.net.mx



(229) 927-5107, 167-8080, 167-8007, 151-7529.

www.adsver.com.mx

## DESCRIPTION

The PMP12 is a powerful polarized retro reflective sensor. The sensor is designed to meet the harsh requirements in industrial environments. With a sensing distance at 12 m the sensor is useful in applications where dust and weather conditions will influence on the sensing distance. The sensor is made in a strong glass reinforced PC/ABS housing with two cable glands for easy connection.

## SPECIFICATIONS

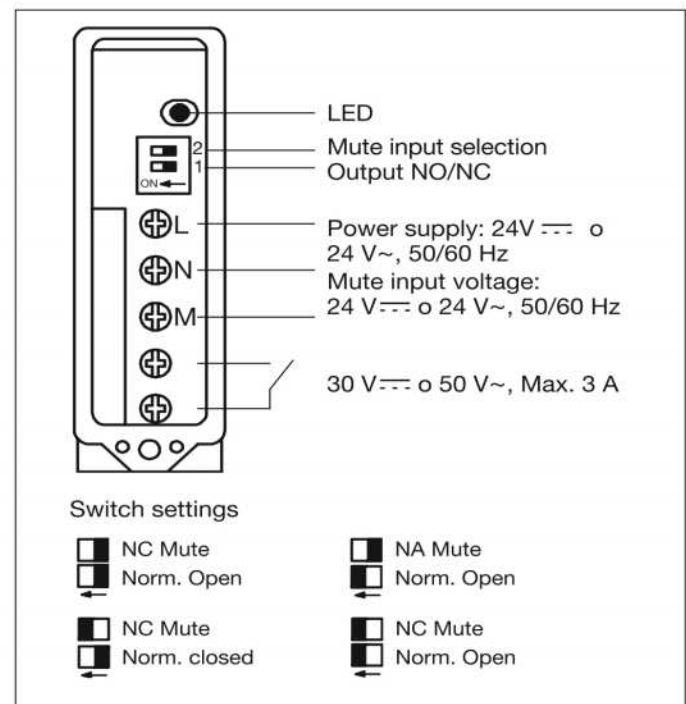
Rated operating distance (Sn) (0-5000 lux)	12 m
Blind zone	≤ 0,15 m
Sensitivity	Fixed
Temperature drift	≤ 0,4 %/°C
Rated operational voltage (U <sub>B</sub> ) CA: 45 65 Hz	24 V $\overline{\text{---}}$ ± 20% 24 V~ ± 20%
Rated operational power (relay ON)	≤ 1 W (1,2 VA)
Output Resistive loads	3A / 250V~ 3A / 30V $\overline{\text{---}}$
Small inductive loads	2A / 250V~ 3A / 30V $\overline{\text{---}}$
Mechanical life (typical) Electrical life (typical)	≥ 40 x 10 <sup>6</sup> operations ≥ 5 x 10 <sup>5</sup> operations @ 220 V~ - 3 A resistive load: 360 impulses/h
Dielectric voltage	2.000 V~ (rms) (cont./supply)
Light source Light type Optical angle Light spot size	GaAlAs, LED, 660 nm Visible, modulated ± 1,5° Max. 5000 lux
Operating frequency	20 Hz
Response time OFF-ON (t <sub>ON</sub> ) ON-OFF (t <sub>OFF</sub> )	≤ 20 ms ≤ 30 ms
Power ON delay (T <sub>v</sub> )	≤ 300 ms (tipico 100 ms)
Output function	Selezionabile mediante commutatore, impulso luce/buio
Mute function Make on Response time output off Make off Response time output on Break on Response time output off Break off Response time output on	Switch selectable ≥ 4V $\overline{\text{---}}$ / V~ < 20ms < 2V $\overline{\text{---}}$ / V~ < 45ms ≤ 2V $\overline{\text{---}}$ / V~ < 45ms < 4V $\overline{\text{---}}$ / V~ < 20 ms
Max current	10 mA a 24 V $\overline{\text{---}}$ 16 mA a 24 V~
Indication Target detected	LED, yellow

Environment Overvoltage category	III (IEC 60664/60664A; 60947-1)
Pollution degree	3 (IEC 60664/60664A; 60947-1)
Degree of protection	IP 67 (IEC 60529; 60947-1)
Temperature Operating Storage	-25° ÷ +55°C -30° ÷ +80°C
Vibration	10 ÷ 150 Hz, 0,5 mm/7,5 g (IEC 60068-2-6)
Shock	2 x 1 m & 100 x 0,5 m (IEC 60068-2-32)
Rated insulation voltage	250 VCA (rms)
Housing material Body Front Cover Cable gland Mounting bracket	PC/ABS, grigio PMMA, rosso PC, nero PA, nero, rinforzato Acciaio galvanizzato
Connection Screw terminal Cable gland	5 x 2 x 1 mm <sup>2</sup> PG 13,5 o 1/2" NPT per cavo 6 ÷ 10 mm
Weight	110 g
UL-Approval	UL325, CSA-C22.2 No.247  UL508  EN12453, EN12445, EN12978

## OPTICAL ALIGNMENT

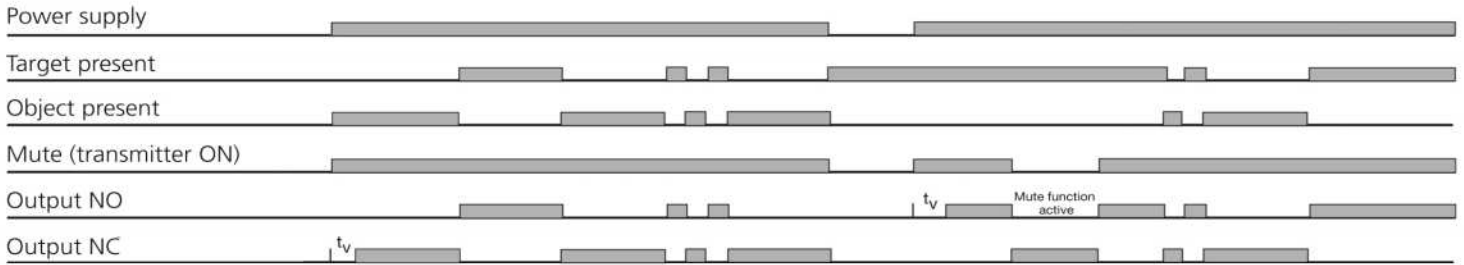
Mount the reflector and the sensor so that they are aligned: the YELLOW LED should be on.

## CONNECTION DIAGRAM

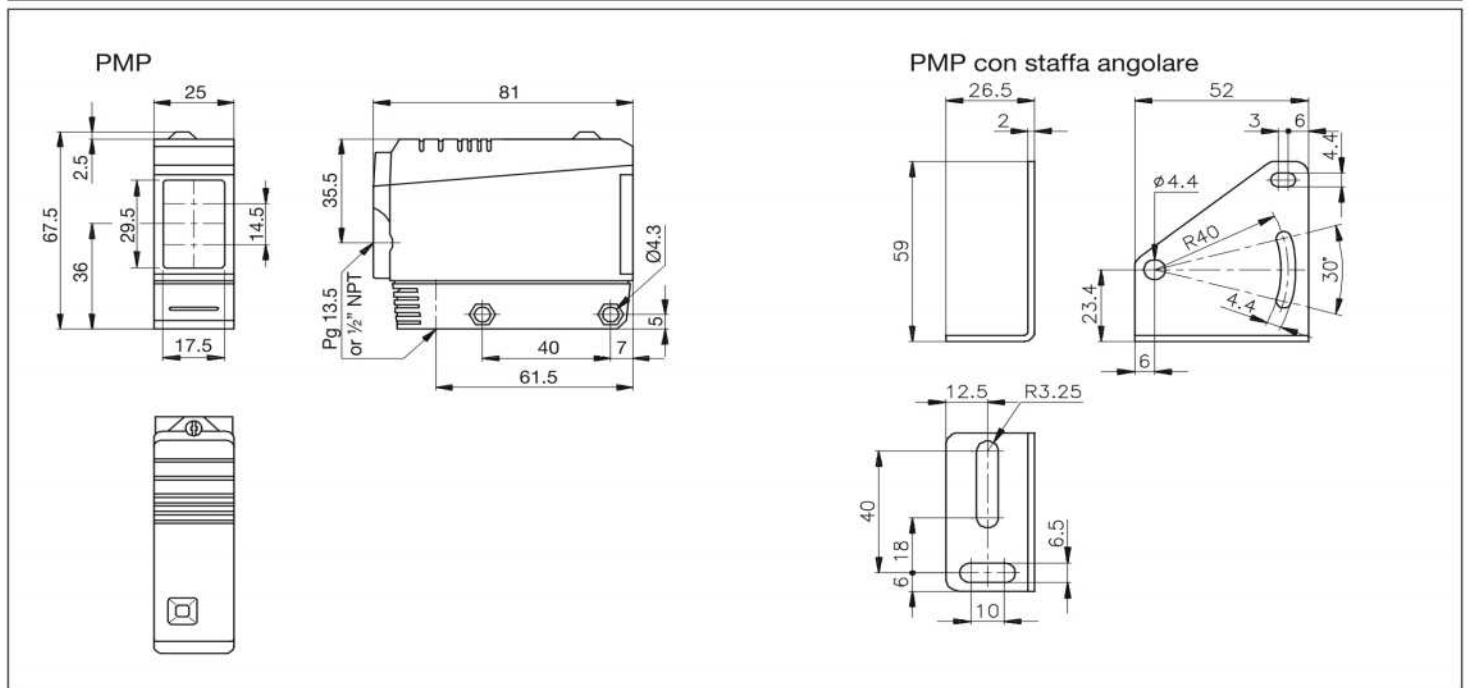


## OPERATION DIAGRAM

$t_v$  = Power ON delay



## DIMENSIONS



## EU DECLARATION OF CONFORMITY

V2 S.p.A. hereby declare that PMP12 equipment conforms to the essential requirements established in directives:

- 2014/35/UE low voltage directive
- 2014/30/EU electromagnetic compatibility directive
- RoHS2 2011/65/EC

Racconigi, 01/02/2016  
Legal representative, V2 S.p.A.

**Giuseppe Pezzetto**

»FOTOCELDAS ANTIVANDALICAS Y DE ESPEJO MARCA V2. MOD.REFLEX.



**Puertas & Portones Automaticos, S.A. de C.V.**

*¡Nuestra Pasión es la Solución!....*

VERSION 3  
OCTUBRE 2019



V10.19

 (229) 288-1552

 portonesautomaticos@adsver.com.mx  
portonesautomaticos@prodigy.net.mx



RESIDENCIAL



COMERCIAL



INDUSTRIAL

MEMBER  
**IDA**  
International Door Association

**ADS**

(229) 927-5107, 167-8080, 167-8007, 151-7529.

[www.adsver.com.mx](http://www.adsver.com.mx)